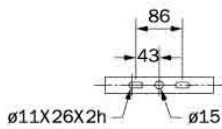
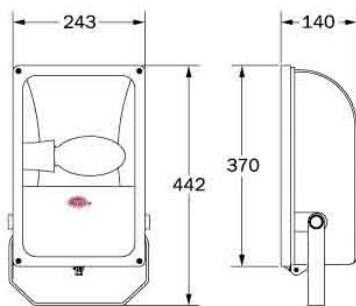




CONTENTS

PCFL 20 ASYMMETRIC	G1
PCFL 2000DS SYMMETRIC	G2
PCFL 2000DA ASYMMETRIC	G3
PCFL 2000JDA ASYMMETRIC	G4
PCFL 420NB NARROW BEAM	G5
PCFL 420WB WIDE BEAM	G6

PCFL 20 ASYMMETRIC FLOODLIGHT SERIES



PCFL 20 DRAWING

Features:

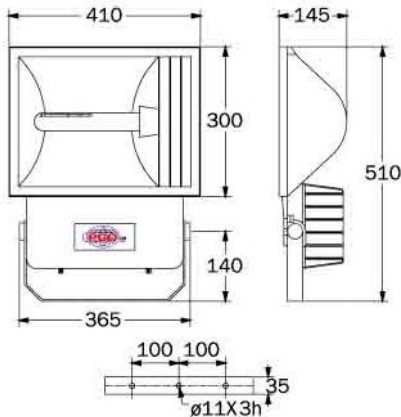
- Constructed from Die Cast Aluminum with black paint finishing beam.
- Asymmetry light distribution.
- High grade Anodized Aluminum hammered surface reflector.
- Designed to make installation and maintenance faster and easier.
- Heat proof tempered glass are used and hinged to floodlight body
- Silicon rubber sealing gasket provide IP 65 protection.
- Available in SON, Metal Halide and Mercury from 70W to 150W.

Application:

- Open space car park
- Monument
- Storage areas
- Security lighting & floodlighting of building
- Highlighting of certain object

Model	Type of Control Gear	Lamp Rating	Lamp Holder	Weight (Kg)	Packing (Unit/Box)	Delivery
PCFL 20/70S	70W SON-I	70W	E27	4.2	1	M
PCFL 20/70MH	70W METAL HALIDE	70W	E27	5.4	1	M
PCFL 20/150MH	150W METAL HALIDE	150W	E27	4.2	1	M
PCFL 20/125M	125W MERCURY	125W	E27	5.4	1	M

PCFL 2000DS SYMMETRIC FLOODLIGHT SERIES

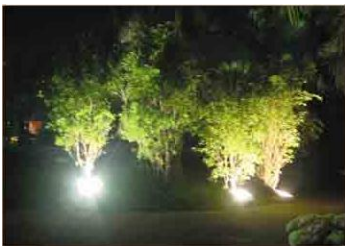


Features:

- Constructed from Die Cast Aluminum with black paint finishing.
- Symmetry light distribution.
- High reliability and applicable for medium to large area where long duration floodlighting required.
- Designed to make installation and maintenance faster and easier.
- Silicon rubber sealing gasket provide IP66 protection.
- Available in SON, Metal Halide and Mercury from 150W to 400W.

Special Features of optional Closure

- **Anti-glare louvre**
High quality aluminum anti-glare louvre can be added to reduce dazzle.
- **Wireguard**
Can be added to prevent vandalism and breakage, hence less maintenance.



Application:

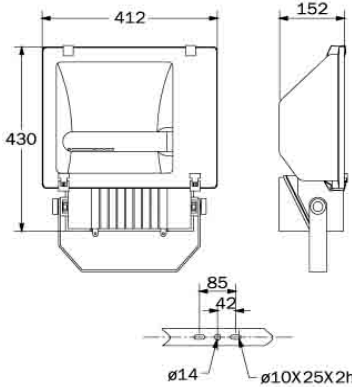
- Open space car park
- Monument
- Storage areas
- Security lighting & floodlighting of building
- Highlighting of certain object

Model	Type of Control Gear	Lamp Rating	Lamp Holder	Weight (Kg)	Packing (Unit/Box)	Delivery
PCFL 2000DS/150S	150W SON	150W	E40	8.2	1	M
PCFL 2000DS/250S	250W SON	250W	E40	8.7	1	M
PCFL 2000DS/400S	400W SON	400W	E40	10.1	1	M
PCFL 2000DS/250MH	250W METAL HALIDE	250W	E40	8.6	1	M
PCFL 2000DS/400MH	400W METAL HALIDE	400W	E40	10.1	1	M
PCFL 2000DS/250M	250W MERCURY	250W	E40	8.6	1	M
PCFL 2000DS/400M	400W MERCURY	400W	E40	9.6	1	M

PCFL 2000DA ASYMMETRIC FLOODLIGHT SERIES



With Wireguard



Features:

- Constructed from Die Cast Aluminum with black paint finishing beam.
- Asymmetric light distribution.
- High grade Anodized Aluminum hammered surface reflector.
- Designed to make installation and maintenance faster and easier.
- Heat proof tempered glass are used and hinged to floodlight body.
- Silicon rubber sealing gasket provide IP 65 protection.
- Available in SON, Metal Halide and Mercury from 150W to 400W.

Special features of optional closure

- **Anti-glare louvre**
High Quality aluminum anti-glare louvre can be added to reduce dazzle.
- **Wireguard**
Can be added to prevent vandalism and breakage, hence less maintenance.

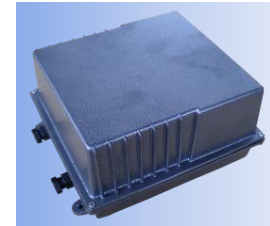
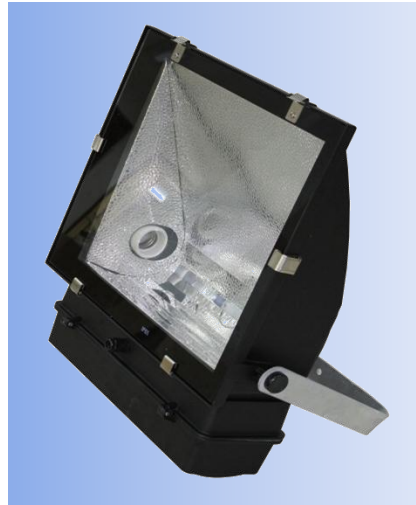


Application:

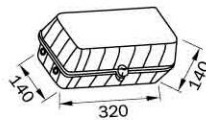
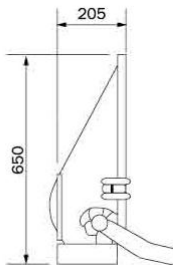
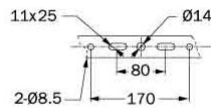
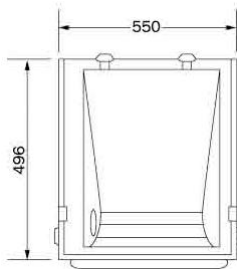
- Open space car park
- Monument
- Storage Areas
- Security lighting & floodlight of Building
- Highlighting of certain object

Model	Type of Control Gear	Lamp Rating	Lamp Holder	Weight (Kg)	Packing (Unit/Box)	Delivery
PCFL 2000DA/150S	150W SON	150W	E40	11.2	1	S
PCFL 2000DA/250S	250W SON	250W	E40	12.6	1	S
PCFL 2000DA/400S	400W SON	400W	E40	13.5	1	S
PCFL 2000DA/250MH	250W METAL HALIDE	250W	E40	12.6	1	S
PCFL 2000DA/400MH	400W METAL HALIDE	400W	E40	13.0	1	S
PCFL 2000DA/250M	250W MERCURY	250W	E40	11.5	1	S
PCFL 2000DA/400M	400W MERCURY	400W	E40	13.0	1	S

PCFL 2000JDA ASYMMETRIC FLOODLIGHT SERIES



Control Gear Box



CONTROL GEAR BOX

Features:

- Constructed from Die Cast Aluminum with black paint finishing beam.
- Asymmetry light distribution.
- High grade Anodized Aluminum hammered surface reflector.
- Designed to make installation and maintenance faster and easier.
- Heat proof tempered glass are used and hinged to floodlight body.
- Silicon rubber sealing gasket provide IP 65 protection.
- Available in SON and Metal Halide 1000W.

Special feature of optional closure

- **Anti-glare louvre**
High Quality aluminum anti-glare louvre can be added to reduce dazzle.
- **Wireguard**
Can be added to prevent vandalism and breakage, hence less maintenance.

Application:

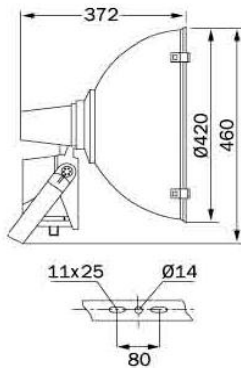
- Open space car park
- Monument
- Storage Areas
- Security lighting & floodlighting of building
- Highlight of certain object

Model	Type of Control Gear	Lamp Rating	Lamp Holder	Weight (Kg)	Packing (unit/Box)	Delivery
PCFL 2000 JDA/1000S	1000W SON	1000W	E40	TBA	1	M
PCFL 2000 JDA/1000MH	1000W METAL HALIDE	1000 W	E40	TBA	1	M

* TBA – To Be Advised

* Delivery Box – F = Fast (1 week) M = Moving (3 – 4 weeks) S = Slow (3 - 4 months) *** Terms & condition Apply

PCFL 420NB NARROW BEAM FLOODLIGHT SERIES



Features:

- Constructed from Die Cast Aluminum.
- Narrow beam floodlight.
- The symmetrical optical reflector are made of pure aluminum polished and anodized with epoxy powder coating finishing.
- Heat proof toughened glass are used and hinged to floodlight
- The separated structure among ballast box, insulated box of lamp holder and reflector.
- Designed to make installation and maintenance faster and easier.
- Silicon rubber seal strip provide IP 66 protection.
- Available in SON, Metal Halide and Mercury from 100W to 600W.

Application:

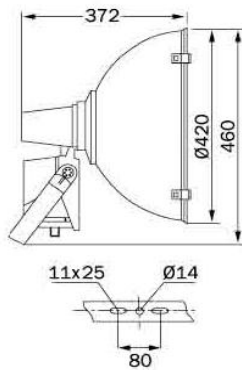
- Open space car Park
- Monument
- Storage areas
- Security lighting & floodlighting of building.
- Highlighting of certain object

Model	Type of Control Gear	Lamp Rating	Lamp Holder	Weight (Kg)	Packing (Unit/Box)	Delivery
PCFL 420NB/100S	100W SON	100W	E40	TBA	1	S
PCFL 420NB/150S	150W SON	150W	E40	TBA	1	S
PCFL 420NB/250S	250W SON	250W	E40	TBA	1	S
PCFL 420NB/400S	400W SON	400W	E40	TBA	1	S
PCFL 420NB/600S	600W SON	600W	E40	TBA	1	S
PCFL 420NB/250MH	250W METAL HALIDE	250W	E40	TBA	1	S
PCFL 420NB/400MH	400W METAL HALIDE	400W	E40	TBA	1	S
PCFL 420NB/250M	250W MERCURY	250W	E40	TBA	1	S
PCFL 420NB/400M	400W MERCURY	400W	E40	TBA	1	S

* TBA – To Be Advised

* Delivery Box – F = Fast (1 week) M = Moving (3 – 4 weeks) S = Slow (3 - 4 months) *** Terms & condition Apply

PCFL 420WB WIDE BEAM FLOODLIGHT SERIES



Features:

- Constructed from die-cast aluminum.
- Wide beam floodlight.
- The symmetrical optical reflector are made of pure aluminum polished and anodized with epoxy powder coating finishing.
- Heat proof toughened glass are used and hinged to floodlight
- The separated structure among ballast box, insulated box of lamp holder and reflector.
- Designed to make installation and maintenance faster and easier.
- Silicon rubber seal strip provide IP 66 protection.
- Available in SON, Metal Halide and Mercury from 100W to 600W.

Application:

- Open space car Park
- Monument
- Storage areas
- Security lighting & floodlighting of building.
- Highlighting of certain object

Model	Type of Control Gear	Lamp Rating	Lamp Holder	Weight (Kg)	Packing (Unit/box)	Delivery
PCFL 420WB/100S	100W SON	100W	E40	TBA	1	S
PCFL 420WB/150S	150W SON	150W	E40	TBA	1	S
PCFL 420WB/250S	250W SON	250W	E40	TBA	1	S
PCFL 420WB/400S	400W SON	400W	E40	TBA	1	S
PCFL 420WB/600S	600W SON	600W	E40	TBA	1	S
PCFL 420WB/250MH	250W METAL HALIDE	250W	E40	TBA	1	S
PCFL 420WB/400MH	400W METAL HALIDE	400W	E40	TBA	1	S
PCFL 420WB/250M	250W MERCURY	250W	E40	TBA	1	S
PCFL 420WB/400M	400W MERCURY	400W	E40	TBA	1	S

* TBA – To Be Advised

* Delivery Box – F = Fast (1 week) M = Moving (3 – 4 weeks) S = Slow (3 - 4 months) *** Terms & condition Apply